

Please read and save these instructions for the product described. Protect yourself and others by observing all safety instructions. Retain instructions for future reference.

**NOTE: Some models on this manual have been discontinued. An updated version may be available with new models.**

maintain the unit in personal

# Dayton® Industrial Assembled Washdown and Hazardous Location Air Circulator Heads

## Description

Both the Washdown and Hazardous Location circulator heads include a secondary safety support cable for overhead mounting. They also have single-phase 115/230V, single speed motors that are totally enclosed, fan cooled with automatic reset thermal protection. Circulator heads include zinc-plated wire guards which comply with OSHA standard 1910.212 (1/2" max opening).

### WASHDOWN

Designed for spot cooling in moist or high-humidity environments such as food or beverage processing plants. Circulator head includes a wall/post/ceiling bracket for mounting. Circulator heads utilize a vertical tilt/locking system to provide directional airflow. Motor complies with BISSC and NEMA definition MG1-1.26,6 (standard for waterproof motors) and is provided with a conduit box for field wiring. Fans are UL/cUL Listed Standard 507.

### HAZARDOUS LOCATION

Designed for spot cooling in atmospheres containing flammable or explosive vapors, gases, or dusts. Circulator heads include a heavy duty galvanized steel bracket for mounting circulator head to a wall or post. Mounting bracket is adjustable to allow for multidirectional airflow. The motor is UL listed for Class I, Division I, Group D AND Class II, Division I, Groups E, F, G hazardous location and also includes a UL listed conduit box for field wiring.

## Optional Accessories

Description	Model No.
Adj. Floor Pedestal - Gray (Closed Base) (for Washdown):	1ZCP2
Adj. Floor Pedestal (Open Base) (for Washdown):	1ZCP4
Pedestal Wheel Kit (for Washdown):	1ZCP5
Mounting Bracket (Wall/Post/Ceiling) (for Washdown):	1ZCP6
Mounting Bracket (Suspension) (for Washdown):	1ZCP7
Mounting Bracket (I-beam) (for Washdown):	1ZCP8

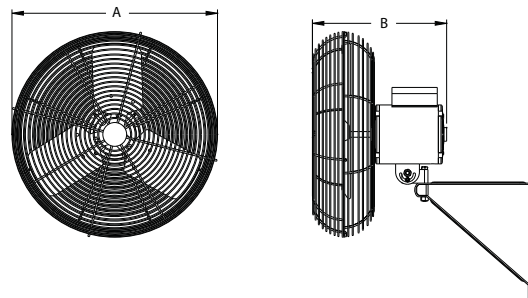


Figure 1 — Washdown Dimensions

## Washdown Dimensions and Specifications (See Figure 1)

Model	Prop. Dia.	A	B	Volts	Hz	Phase	Blades	Prop. Material	Includes
1VCF9	20"	23"	23"	115/230	60	1	3	Aluminum	1ZCP6 Mounting Bracket, Secondary Safety Support Cable
1VCG1	24	27	23	115/230	60	1	3	Aluminum	1ZCP6 Mounting Bracket, Secondary Safety Support Cable
1VCG2A	30	33	26	115/230	60	1	3	Aluminum	1ZCP6 Mounting Bracket, Secondary Safety Support Cable

All specialty air circulators include a mounting bracket. Optional mounting accessories are available for Washdown model.

ENGLISH  
  
 ESPAÑOL  
  
 FRANÇAIS

# Dayton® Industrial Assembled Washdown and Hazardous Location Air Circulator Heads

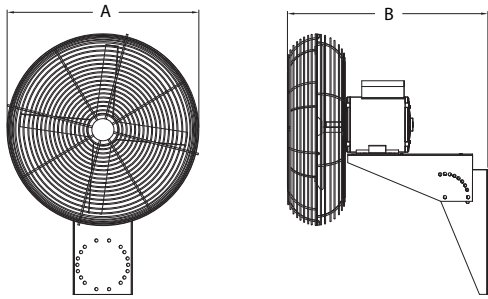


Figure 2 — Hazardous Location Dimensions

## Hazardous Location Dimensions and Specifications (See Figure 2)

Model	Prop. Dia.	A	B	Volts	Hz	Phase	Blades	Prop. Material	Includes
1VCH1	24"	27"	23½"	115/230	60	1	4	Cast Aluminum	Hazardous Wall/Post Bracket, Secondary Safety Support Cable
1VCH2	30	33	25¾"	115/230	60	1	4	Cast Aluminum	Hazardous Wall/Post Bracket, Secondary Safety Support Cable
1VCH3	36	39	25¾"	115/230	60	1	4	Cast Aluminum	Hazardous Wall/Post Bracket, Secondary Safety Support Cable

All Specialty Air Circulators include a mounting bracket.

## Performance

Model	Prop. Dia.	Motor RPM	HP	CFM	Air Velocity @ 20 Ft. (FPM)	Sones @ 0.000 SP	Operating Amps	Full Load Amps
<b>WASHDOWN</b>								
1VCF9	20"	1700	1/4	4700	580	28	2.93/1.47	3.5/1.7
1CVG1	24	1700	1/3	6849	732	29	2.75/1.38	4.9/2.5
1VCG2	30	1140	1/2	10,001	750	29	5.8/2.9	8.8/2.9
<b>HAZARDOUS LOCATION</b>								
1VCH1	24"	1140	1/4	5486	520	28	6.0/2.9	6.9/3.45
1VCH2	30	1140	3/4	10,937	835	37	7.0/3.5	12.6/6.3
1VCH3	36	1140	3/4	12,500	1000	43	7.0/3.5	12.6/6.3

## Unpacking

1. Inspect for any damage that may have occurred during transit.
2. Shipping damage claim must be filed with carrier.
3. Check all bolts, screws, setscrews, etc. for looseness that may have occurred during transit. Retighten as needed.

## General Safety Information

**⚠ WARNING** To reduce the risk of fire, electrical shock, or injury to persons, observe the following:

- a. Use this unit only in the manner intended by the manufacturer. If you have questions, contact the manufacturer.

- b. Before servicing or cleaning unit, switch power off at service panel and lock the service disconnecting means to prevent power from being switched on accidentally. When the service disconnecting means cannot be locked, securely fasten a prominent warning device, such as a tag, to the service panel.

# Models 1VCF9, 1VCG1, 1VCG2A, 1VCH1 thru 1VCH3

## General Safety Information (Continued)

**⚠ WARNING** Do not depend on any switch to disconnect power supply. Always unplug the power cord or turn off and lock disconnecting means as described.

c. Installation work and electrical wiring must be done by a qualified person(s) in accordance with all applicable codes and standards, including fire-rated construction.

d. When cutting or drilling into wall or ceiling, do not damage electrical wiring and other hidden utilities.

**⚠ DANGER** Do not place body parts or objects in circulator or motor openings while motor is connected to the power source.

**⚠ WARNING** To reduce the risk of fire or electrical shock, do not use this fan with any solid-state speed control device. Do not use a three-prong to two-prong adapter on the power cord.

**⚠ WARNING** To reduce the risk of electric shock, do not expose models 1VCH1 thru 1VCH3 to water or rain.

1. Read and follow all instructions, cautionary markings and make sure power source conforms to the requirement of the equipment.
2. Follow all local electrical and safety codes, as well as the National Electrical Code (NEC) and the Occupational Safety and Health Act (OSHA) in the United States, including fire rated construction. Ground motor in accordance with NEC Article 250 (grounding).
3. In critical applications, use a suitable alarm (air switch, temperature sensor, etc.) should the circulator malfunction.

## Installation

**⚠ WARNING** Installation and troubleshooting to be performed only by qualified person(s).

**⚠ CAUTION** To reduce the risk of injury, use only with recommended Dayton accessories in owners manual.

1. Connect power in accordance with the NEC and all local codes. Refer to Figure 3 for the wiring diagram.

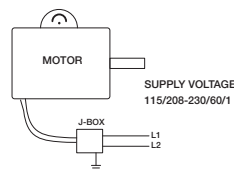


Figure 3 — Typical Wiring Diagram  
**INDUSTRIAL WASHDOWN AIR CIRCULATOR HEADS**

1. To mount circulator, refer to the instructions provided with the Dayton Wall/Post/Ceiling Bracket.
2. After mounting, remove drain plugs from motor at the lowest points. This fan is not suitable for vertical shaft mounting.

## INDUSTRIAL HAZARDOUS LOCATION AIR CIRCULATOR HEADS

1. Locate the (2) identical steel brackets and (8) bolts provided with assembly.

**NOTE:** It is recommended that wall bracket be assembled before mounting the bracket to the wall.

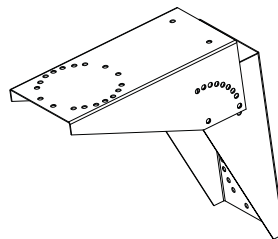


Figure 4 — Bracket Assembly

2. Insert the widest part of flange from one bracket inside the widest part of flange from the second bracket, forming a "V" as shown in Figure 4.
3. Position bracket to desired angle by pivoting the two pieces. When at desired angle, insert (4) bolts, (2) on either side where holes align.

**NOTE:** When bracket is positioned at different angles, it is likely that different holes will align.

4. Twist spin-lock nut onto the bolt and tighten.
5. Mount bracket to the wall as shown in Figure 5. Use appropriate hardware (supplied by others).

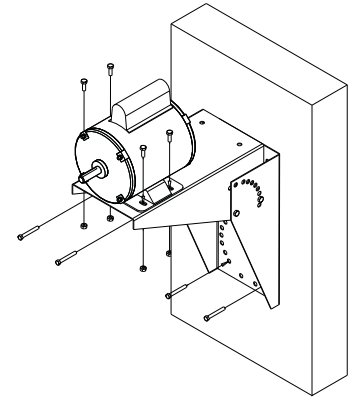


Figure 5 — Bracket Mounting (Circulator Head Not Shown)

**IMPORTANT:** Use at least (4) bolts to attach bracket to wall (two at top and at least two at bottom).

6. After bracket is mounted to the wall, place base of motor on top of the bracket until circulator is at desired position, aligning holes on motor base with the holes on the bracket.
7. Insert (4) bolts, (2) on either side of motor and tighten spin-lock nuts.

# Dayton® Industrial Assembled Washdown and Hazardous Location Air Circulator Heads

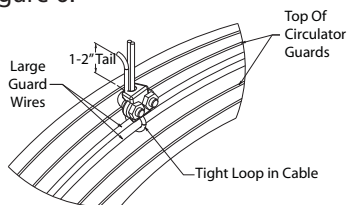
## Installation (Continued)

- Attach the secondary safety support cable used to give additional protection in the event of failure of other mounting hardware and brackets. To ensure proper installation of the secondary safety support cable, carefully read and follow all steps starting with Figure 6.

### SECONDARY SAFETY SUPPORT CABLE

**▲ WARNING** *Use of secondary safety support cable does not guarantee protection against injury of persons. Mounting of both the circulator and cable could fail if subject to abuse, neglect or if improperly installed.*

- Loop one end of the cable around the large diameter wires of both the front and rear guard as shown in Figure 6.



**Figure 6 — Cable Clamp Detail**

- Attach a cable clamp with the “U” on the tail side of the loop leaving a tail of approximately 1 to 2 inches.

Tighten clamp nuts forming a tight loop, 32 in. lbs of torque. Make sure the cable does not interfere with the propeller.

- Attach a second clamp 1 to 2 inches from the first and tighten, 32 in. lbs of torque. The excess tail should be trimmed to extend 1 to 2 inches past the second clamp.
- Wrap the other end of the cable around a secure building joist, beam, truss or other support near the fan. Take up all excess slack in the cable. If the fan is an oscillating model and wall mounted, leave enough slack to allow free movement through range of motion.
- Attach the two (2) remaining cable clamps as done previously in “step 2”. The excess tail should be trimmed to extend 1 to 2 inches past the second clamp.
- Check the assembly to assure the propeller is free of all obstructions and turns freely.

**▲ CAUTION** *To avoid personal injury, circulators must be supported anytime angle is adjusted.*

## Operation

- Keep circulator head free from obstructions.

## Maintenance

**▲ CAUTION** *To reduce the risk of injury disconnect from power supply before servicing. Always unplug the power cord.*

- With a rag, periodically clean propeller, guard, and motor when excessive dirt and particles accumulate. Allow motor sufficient time to cool as it may be hot enough to cause injury.
- Follow motor manufacturer’s instructions for motor lubrication.
- Check for unusual noises when circulator is running.
- Periodically inspect and tighten all bolts.

**IMPORTANT:** When making repairs, use only Dayton authorized repair parts.

**▲ WARNING** *In order to perform maintenance services on the product, make sure it is unplugged. The electric installation must have a means of disconnecting the feed and must have a separation of at least 3 mm between all of the poles.*

## For Repair Parts, call 1-800-323-0620

24 hours a day – 365 days a year

Please provide following information:

- Model number
- Serial number (if any)
- Part description and number as shown in parts list

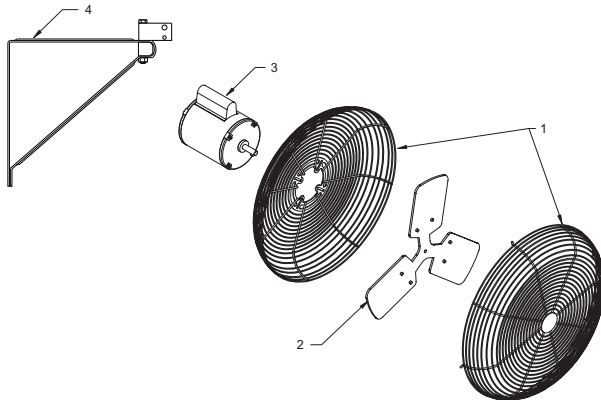


Figure 7 — Repair Parts Illustration for Industrial Assembled Washdown Air Circulator Heads

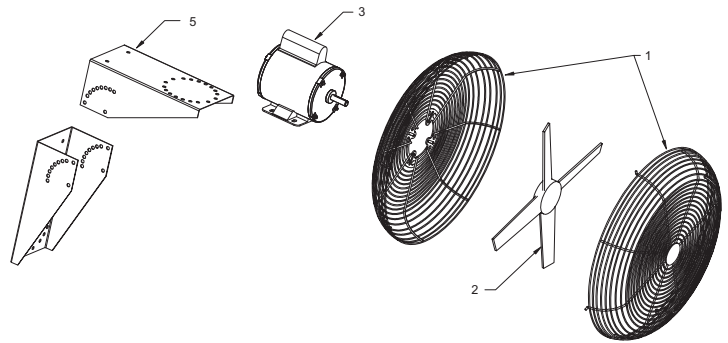


Figure 8 — Repair Parts Illustration for Industrial Assembled Hazardous Location Air Circulator Heads

E  
N  
G  
L  
I  
S  
H

### Repair Parts List for Industrial Assembled Washdown Air Circulator Head (See Figure 7)

Reference Number	Description	Part Number For Models:			Quantity
		1VCF9	1VCG1	1VCG2A	
1	Guard Set	50H544	50H545	50H546	1
2	Propeller	2ATV7	2KWJ3	53H425	1
3	Motor	2ATX3	1YCW3	53H424	1
(*)	(‡) Assembly Hardware	Standard hardware items (available locally)			
	Sq. Head Set Screw, 5/16-24 x 1/2	—	—	—	1
	Spin-Lock Nut, 10-32	—	—	—	4
4	Wall Mounting Bracket	1ZCP6	1ZCP6	1ZCP6	1
(*)	Yoke Mounting Hardware Kit	50H352	50H352	50H352	1
	Hex Head Cap Screw, 3/8-16 x 1	—	—	—	1
	Hex Head Cap Screw, 1/4-20 x 1	—	—	—	1
	Flat Washer, 3/8	—	—	—	1
	Flat Washer, 5/16	—	—	—	1
	Spin-Lock Nut, 3/8-16	—	—	—	1
	Spin-Lock Nut, 1/4-20	—	—	—	1

### Repair Parts List for Industrial Assembled Hazardous Location Air Circulator Heads (See Figure 8)

Reference Number	Description	Part Number For Models:			Quantity
		1VCH1	1VCH2	1VCH3	
1	Guard Set	50H545	50H546	50H547	1
2	Propeller and Bushing	60P630	60P631	60P632	1
3	Motor	50H560	50H561	50H561	1
(*)	(†) Spin-Lock Nut, 10-32	Standard hardware items (available locally)			4
5	Hazardous Mounting Bracket	50H562	50H562	50H562	2
(*)	Hazardous Mounting Hardware	Standard hardware items (available locally)			
	Hex Head Cap Screw, 5/16-18 x 3/4	—	—	—	10
	Spin-Lock Nut, 5/16-18	—	—	—	10
	Flat Washer, 5/16	—	—	—	10

(\*) Not Shown.

(‡) Assembly hardware mounts rear guard to motor and propeller to motor shaft.

(†) Spin-Lock Nuts mount rear guard to motor.



# Dayton® Industrial Assembled Washdown and Hazardous Location Air Circulator Heads

## Troubleshooting Chart

Symptom	Possible Cause(s)	Corrective Action
Fan inoperative	1. Blown fuse or open circuit breaker 2. Defective motor or switch	1. Replace or reset 2. Replace or reset
Fan cycles on and off	1. Thermal protector 2. Faulty wiring or control switch	1. Check for obstructions to airflow, low or high voltage, excessive intake air temperature above 104°F 2. Replace or repair
Excessive noise while operating	1. Loose or damaged propeller 2. Motor not secure	1. Tighten or replace 2. Tighten motor nuts
Insufficient air flow	1. Guard excessively dirty	1. Clean guards

### LIMITED WARRANTY

**DAYTON ONE-YEAR LIMITED WARRANTY.** DAYTON® INDUSTRIAL ASSEMBLED WASHDOWN AND HAZARDOUS LOCATION AIR CIRCULATOR HEADS, MODELS COVERED IN THIS MANUAL, ARE WARRANTED BY DAYTON ELECTRIC MFG. CO. (DAYTON) TO THE ORIGINAL USER AGAINST DEFECTS IN WORKMANSHIP OR MATERIALS UNDER NORMAL USE FOR ONE YEAR AFTER DATE OF PURCHASE. ANY PART WHICH IS DETERMINED TO BE DEFECTIVE IN MATERIAL OR WORKMANSHIP AND RETURNED TO AN AUTHORIZED SERVICE LOCATION, AS DAYTON DESIGNATES, SHIPPING COSTS PREPAID, WILL BE, AS THE EXCLUSIVE REMEDY, REPAIRED OR REPLACED AT DAYTON'S OPTION. FOR LIMITED WARRANTY CLAIM PROCEDURES, SEE "PROMPT DISPOSITION" BELOW. THIS LIMITED WARRANTY GIVES PURCHASERS SPECIFIC LEGAL RIGHTS WHICH VARY FROM JURISDICTION TO JURISDICTION.

**LIMITATION OF LIABILITY.** TO THE EXTENT ALLOWABLE UNDER APPLICABLE LAW, DAYTON'S LIABILITY FOR CONSEQUENTIAL AND INCIDENTAL DAMAGES IS EXPRESSLY DISCLAIMED. DAYTON'S LIABILITY IN ALL EVENTS IS LIMITED TO AND SHALL NOT EXCEED THE PURCHASE PRICE PAID.

**WARRANTY DISCLAIMER.** A DILIGENT EFFORT HAS BEEN MADE TO PROVIDE PRODUCT INFORMATION AND ILLUSTRATE THE PRODUCTS IN THIS LITERATURE ACCURATELY; HOWEVER, SUCH INFORMATION AND ILLUSTRATIONS ARE FOR THE SOLE PURPOSE OF IDENTIFICATION, AND DO NOT EXPRESS OR IMPLY A WARRANTY THAT THE PRODUCTS ARE MERCHANTABILITY, OR FIT FOR A PARTICULAR PURPOSE, OR THAT THE PRODUCTS WILL NECESSARILY CONFORM TO THE ILLUSTRATIONS OR DESCRIPTIONS. EXCEPT AS PROVIDED BELOW, NO WARRANTY OR AFFIRMATION OF FACT, EXPRESSED OR IMPLIED, OTHER THAN AS STATED IN THE "LIMITED WARRANTY" ABOVE IS MADE OR AUTHORIZED BY DAYTON.

**Technical Advice and Recommendations, Disclaimer.** Notwithstanding any past practice or dealings or trade custom, sales shall not include the furnishing of technical advice or assistance or system design. Dayton assumes no obligations or liability on account of any unauthorized recommendations, opinions or advice as to the choice, installation or use of products.

**Product Suitability.** Many jurisdictions have codes and regulations governing sales, construction, installation, and/or use of products for certain purposes, which may vary from those in neighboring areas. While attempts are made to assure that Dayton products comply with such codes, Dayton cannot guarantee compliance, and cannot be responsible for how the product is installed or used. Before purchase and use of a product, review the product applications, and all applicable national and local codes and regulations, and be sure that the product, installation, and use will comply with them.

Certain aspects of disclaimers are not applicable to consumer products; e.g., (a) some jurisdictions do not allow the exclusion or limitation of incidental or consequential damages, so the above limitation or exclusion may not apply to you; (b) also, some jurisdictions do not allow a limitation on how long an implied warranty lasts, consequently the above limitation may not apply to you; and (c) by law, during the period of this Limited Warranty, any implied warranties of implied merchantability or fitness for a particular purpose applicable to consumer products purchased by consumers, may not be excluded or otherwise disclaimed.

**Prompt Disposition.** A good faith effort will be made for prompt correction or other adjustment with respect to any product which proves to be defective within limited warranty. For any product believed to be defective within limited warranty, first write or call dealer from whom the product was purchased. Dealer will give additional directions. If unable to resolve satisfactorily, write to Dayton at address below, giving dealer's name, address, date, and number of dealer's invoice, and describing the nature of the defect. Title and risk of loss pass to buyer on delivery to common carrier. If product was damaged in transit to you, file claim with carrier.

**Manufactured for Dayton Electric Mfg. Co., 5959 W. Howard St., Niles, Illinois 60714-4014 U.S.A.**

**Manufactured for Dayton Electric Mfg. Co.  
Niles, Illinois 60714 U.S.A.**



**Por favor lea y guarde estas instrucciones.** Léalas cuidadosamente antes de tratar de montar, instalar, operar o dar mantenimiento al producto aquí descrito. Protéjase usted mismo y a los demás observando toda la información de seguridad. ¡El no cumplir con las instrucciones puede ocasionar daños, tanto personales como a la propiedad! Guarde estas instrucciones para referencia en el futuro.

# Cabezales Ensamblados Industriales de Circuladores de Aire para Lavado y Lugares Peligrosos Dayton®

## Descripción

Los cabezales del circulador tanto para lavado como para lugares peligrosos incluyen un cable de sostén de seguridad secundario para montaje aéreo. También poseen motores monofásicos de 115/230 V de una sola velocidad, totalmente cerrados y ventilador enfriado con protección térmica de restablecimiento automático. Los cabezales del circulador incluyen rejillas de protección cincadas que cumplen la norma de OSHA 1910.212 (12,7 mm de apertura máxima).

## LAVADO

Diseñados para el enfriamiento localizado en entornos húmedos o de alta humedad, como por ejemplo, plantas de procesamiento de alimentos o bebidas. El cabezal del circulador incluye un soporte para montaje en pared/poste/cielo. Los cabezales del circulador utilizan un sistema de inclinación vertical/ajuste de bloqueo para proporcionar un flujo de aire direccional. El motor cumple la definición MG1-1.26,6 de BISSC y NEMA (norma para motores impermeables) e incluye una caja de distribución para cableado en terreno. Los ventiladores aparecen en las listas de UL/cUL con la norma 507.

## LUGARES PELIGROSOS

Diseñados para el enfriamiento de lugares en atmósferas que contienen vapores, gases o polvos inflamables o explosivos. Los cabezales del circulador incluyen un soporte de acero galvanizado de servicio pesado para montar el cabezal del circulador a una pared o poste. El soporte de montaje es ajustable para permitir un flujo de aire multidireccional. El motor cuenta con clasificación UL para lugares peligrosos de Clase I, División I, Grupo D Y Clase II, División I, Grupos E, F, G e incluye también una caja de distribución con clasificación UL para cableado en terreno.

## Accesorios Opcionales

Descripción	N° de Modelo
Pedestal de piso adyacente gris (base cerrada) (para lavado):	1ZCP2
Pedestal de piso adyacente (base abierta) (para lavado):	1ZCP4
Juego de ruedas del pedestal (para lavado):	1ZCP5
Soporte de montaje (pared/poste/cielo) (para lavado):	1ZCP6
Soporte de montaje (suspensión) (para lavado):	1ZCP7
Soporte de montaje (viga en doble T) (para lavado):	1ZCP8

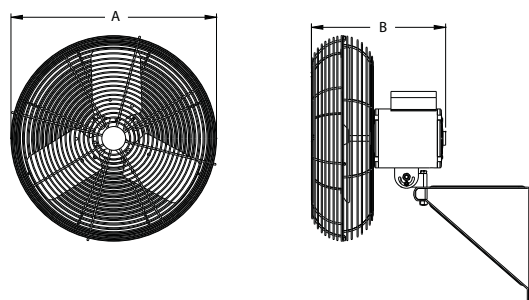


Figura 1 — Dimensiones del Modelo de Lavado

## Dimensiones y Especificaciones del Modelo de Lavado (Consulte la Figura 1)

Modelo	Diá. de la Hélice	A	B	Voltios	Hz	Fase	Paletas	Hélice Material	Incluye
1VCF9	50,8 cm	58,4 cm	58,4 cm	115/230	60	1	3	Aluminio	Soporte de Montaje 1ZCP6, Cable de Sostén de Seguridad Secundario
1VCG1	61,0	68,6	58,4	115/230	60	1	3	Aluminio	Soporte de Montaje 1ZCP6, Cable de Sostén de Seguridad Secundario
1VCG2A	76,2	83,8	66,0	115/230	60	1	3	Aluminio	Soporte de Montaje 1ZCP6, Cable de Sostén de Seguridad Secundario

Todos los circuladores de aire especiales incluyen un soporte de montaje. Se dispone de accesorios de montaje opcionales para el modelo de lavado.

# Cabezales Ensamblados Industriales de Circuladores de Aire para Lavado y Lugares Peligrosos Dayton®

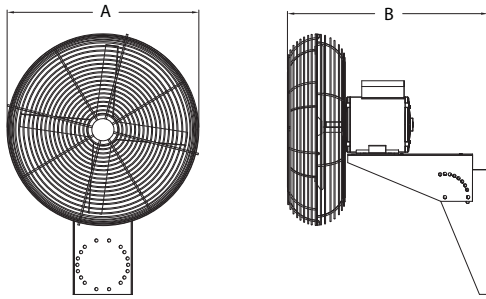


Figura 2 — Dimensiones del Modelo para Lugares Peligrosos

## Dimensiones y Especificaciones del Modelo para Lugares Peligrosos (Consulte la Figura 2)

Modelo	Diá. de la Hélice	A	B	Voltios	Hz	Fase	Paletas	Hélice Material	Incluye
1VCH1	61,0 cm	68,6 cm	59,7 cm	115/230	60	1	4	Aluminio Fundido	Soporte de Pared/Poste Peligroso, Cable de Sostén de Seguridad Secundario
1VCH2	76,2	83,8	65,4	115/230	60	1	4	Aluminio Fundido	Soporte de Pared/Poste Peligroso, Cable de Sostén de Seguridad Secundario
1VCH3	91,4	99,1	65,4	115/230	60	1	4	Aluminio Fundido	Soporte de Pared/Poste Peligroso, Cable de Sostén de Seguridad Secundario

Todos los circuladores de aire especiales incluyen un soporte de montaje.

## Rendimiento

Modelo	Diá. de la Hélice	RPM del Motor	HP	CFM	Velocidad del Aire a 20 pies (FPM)	Sonios a 0,000 SP	Amperios de Funcionamiento	Amperios a Plena Carga
<b>LAVADO</b>								
1VCF9	50,8 cm	1700	1/4	4700	580	28	2,93/1,47	3,5/1,7
1CVG1	61,0	1700	1/3	6849	732	29	2,75/1,38	4,9/2,5
1VCG2	76,2	1140	1/2	10.001	750	29	5,8/2,9	8,8/2,9
<b>LUGARES PELIGROSOS</b>								
1VCH1	61,0 cm	1140	1/4	5486	520	28	6,0/2,9	6,9/3,45
1VCH2	76,2	1140	3/4	10.937	835	37	7,0/3,5	12,6/6,3
1VCH3	91,4	1140	3/4	12.500	1000	43	7,0/3,5	12,6/6,3

## Desembalaje

1. Revise si existen daños que se puedan haber producido durante el transporte.
2. Se debe presentar una queja por daños de transporte a la empresa de transporte.
3. Compruebe que ninguno de los pernos, tornillos o tornillos de fijación se haya soltado durante el transporte. Vuelva a apretarlos según sea necesario.

## Información de Seguridad General

**⚠ ADVERTENCIA** *Para reducir el riesgo de incendio, descarga eléctrica o lesiones a personas, respete lo siguiente:*

- a. Use esta unidad sólo como lo indica el fabricante. Si tiene dudas, comuníquese con el fabricante.

- b. Antes de realizar mantenimiento o de limpiar la unidad, desconecte la alimentación en el panel de servicio y bloquee el servicio desconectando los medios para evitar que la alimentación se active en forma accidental. Cuando no se puedan bloquear los medios de desconexión del servicio, coloque firmemente un dispositivo de advertencia prominente, como una etiqueta, en el panel de servicio.



# Modelos 1VCF9, 1VCG1, 1VCG2A, 1VCH1 a 1VCH3

## Información de Seguridad General (Continuación)

**⚠ ADVERTENCIA** No dependa de ningún interruptor eléctrico. Desenchufe siempre el cable de alimentación o apague y bloquee los medios de desconexión según se describe.

- c. Una persona calificada debe realizar el trabajo de instalación y cableado eléctrico de acuerdo con todos los códigos y las normas aplicables, lo que incluye la construcción calificada para incendios.
- d. Al cortar o perforar en una pared o cielo, no dañe el cableado eléctrico ni otros servicios ocultos.

**⚠ PELIGRO** No coloque partes del cuerpo ni objetos en el circulador ni en los orificios del motor mientras éste se encuentre conectado a la fuente de energía.

**⚠ ADVERTENCIA** Para reducir el riesgo de incendio o descarga eléctrica, no utilice este ventilador con ningún dispositivo de control de velocidad de estado sólido. No use un adaptador de tres a dos clavijas en el cable de alimentación.

**⚠ ADVERTENCIA** Para reducir el riesgo de descargas eléctricas, no exponga los modelos 1VCH1 a 1VCH3 al agua ni a la lluvia.

1. Lea y siga todas las instrucciones, y las marcas de precaución. Asegúrese de que la fuente de energía esté en conformidad con los requisitos del equipo.
2. Respete todos los códigos eléctricos y de seguridad locales, así como también, National Electrical Code (NEC) y la Ley de seguridad y salud ocupacionales (OSHA, por sus siglas en inglés) de los Estados Unidos, lo que incluye la construcción calificada para incendios. Conecte el motor a tierra de acuerdo con el Artículo 250 de NEC (conexión a tierra).
3. En aplicaciones críticas, use una alarma adecuada (interruptor de aire, sensor de temperatura, etc.) en caso de que se produzca un funcionamiento defectuoso del circulador.

## Instalación

**⚠ ADVERTENCIA** La instalación y la solución de problemas deberá realizarla sólo una persona calificada.

**⚠ PRECAUCIÓN** Para reducir el riesgo de lesiones, usar sólo con los accesorios Dayton recomendados que se indiquen en el manual del propietario.

1. Conecte la alimentación según los códigos de NEC y locales. Consulte la Figura 3 para obtener el diagrama de cableado.

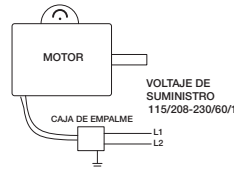


Figura 3 — Diagrama de Cableado Típico CABEZALES DEL CIRCULADOR DE AIRE DE LAVADO INDUSTRIAL

1. Para montar el circulador, consulte las instrucciones que se incluyen con el soporte de pared/cielo/poste Dayton.
2. Después del montaje, retire los tapones de drenaje del motor en los puntos más bajos. Este ventilador no es apropiado para un montaje en eje vertical.

## CABEZALES INDUSTRIALES DEL CIRCULADOR DE AIRE PARA LUGARES PELIGROSOS

1. Ubique los (2) soportes idénticos de acero y los (8) pernos que vienen con el conjunto.

**NOTA:** Se recomienda que el soporte de pared se ensamble antes de montarlo a la pared.

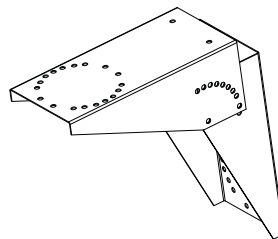


Figura 4 — Conjunto de Soporte

2. Inserte la parte más ancha del reborde de un soporte dentro de la parte más ancha del reborde del segundo soporte, formando una "V", como se muestra en la Figura 4.
3. Coloque el soporte en el ángulo que desee pivotando las dos piezas. Cuando se encuentre en el ángulo que desee, inserte los (4) pernos, (2) en cada lado donde se alinean los orificios.

**NOTA:** Cuando el soporte se coloca en diferentes ángulos, es probable que se alineen orificios diferentes.

4. Gire la tuerca spin-lock en el perno y apriete.
5. Monte el soporte en la pared, como se muestra en la Figura 5. Use piezas metálicas apropiadas (proporcionadas por otros).

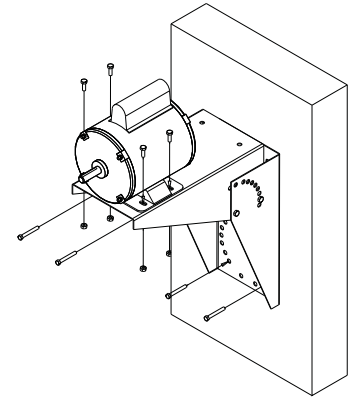


Figura 5 — Montaje del Soporte (Cabezal del Circulador no Mostrado)

- IMPORTANTE:** Use al menos (4) pernos para fijar el soporte a la pared (dos en la parte superior y al menos dos en la parte inferior).
6. Después de que se haya montado el soporte en la muralla, coloque la base del motor en la parte superior del soporte hasta que el circulador esté en la posición que desee, alineando los orificios de la base del motor con los del soporte.
  7. Inserte (4) pernos, (2) a cada lado del motor y apriete las tuercas spin-lock.

# Cabezales Ensamblados Industriales de Circuladores de Aire para Lavado y Lugares Peligrosos Dayton®

## Instalación (Continuación)

8. Conecte el cable de sostén de seguridad secundario cuyo propósito es proporcionar protección adicional en el caso de que se produzca una falla de otras piezas metálicas de montaje y soportes. Para garantizar que se realice la instalación correcta del cable de sostén de seguridad secundario, lea detenidamente y siga todos los pasos que comienzan con la Figura 6.

### CABLE DE SOSTÉN DE SEGURIDAD SECUNDARIO

**⚠ ADVERTENCIA** *El uso del cable de sostén de seguridad secundario no garantiza la protección contra lesiones a las personas. El montaje tanto del circulador como del cable podría fallar si está sujeto a abuso, negligencia o si se instaló de manera incorrecta.*

1. Con un extremo del cable, rodee los alambres de mayor diámetro tanto del protector delantero como del protector trasero, como se muestra en la Figura 6.

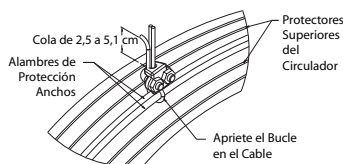


Figura 6 — Detalle de la Abrazadera de Cables

2. Conecte una abrazadera de cables con la "U" en el lado de la cola del bucle dejando una cola de aproximadamente 25 mm a 50 mm. Apriete las tuercas de fijación formando un bucle ajustado con 3,6 Nm de par de torsión. Asegúrese de que el cable no interfiera con la hélice.
3. Conecte una segunda abrazadera a 25 mm ó 50 mm de la primera y apriétela con 3,6 Nm de par de torsión. La cola que sobre se debe cortar hasta 25 mm ó 50 mm pasada la segunda abrazadera.
4. Enrolle el otro extremo del cable alrededor de una viga, cercha u otro apoyo seguro del edificio cercano al ventilador. Corte todo el cable que sobre. Si el ventilador pertenece a un modelo giratorio y se monta en la pared, deje suficiente cable de sobra para permitir el movimiento libre en un rango de movimientos.
5. Conecte las dos (2) abrazaderas de cable restantes como lo hizo en el "paso 2". La cola que sobre se debe cortar hasta 25 mm ó 50 mm pasada la segunda abrazadera.
6. Revise el conjunto para asegurarse de que la hélice esté libre de cualquier obstrucción y que gire libremente.

**⚠ PRECAUCIÓN** *Para evitar que se produzcan lesiones personales, los circuladores se deben apoyar cada vez que se ajuste el ángulo.*

## Funcionamiento

1. Mantenga el cabezal del circulador libre de obstrucciones.

## Mantenimiento

**⚠ PRECAUCIÓN** *Para reducir el riesgo de lesiones, desconéctelo de la fuente de energía antes de realizar mantenimiento. Desconecte siempre el cable de alimentación.*

1. Limpie en forma periódica la hélice, el protector y el motor con un paño cuando se acumulen polvo y partículas en exceso. Deje que el motor se enfríe, puesto que puede estar lo suficientemente caliente para provocar lesiones.
2. Siga las instrucciones del fabricante del motor para su lubricación.
3. Cuando esté funcionando el circulador, revise si existen ruidos anormales.
4. Efectúe una inspección en forma periódica y apriete todos los pernos.

**IMPORTANTE:** Al realizar reparaciones, use sólo los repuestos autorizados por Dayton.

**⚠ ADVERTENCIA** *Con el objeto de realizar servicios de mantenimiento en el producto, asegúrese de que esté desenchufado. La instalación eléctrica debe tener un medio para desconectar la alimentación y tener una separación de al menos 3 mm entre todos los polos.*

## Para Obtener Repuestos, llame al 1-800-323-0620

Las 24 horas del día, los 365 días del año

Proporcione la siguiente información:

- Número de modelo
- Número de serie (si lo hay)
- Descripción y número de parte, según aparezca en la lista de partes

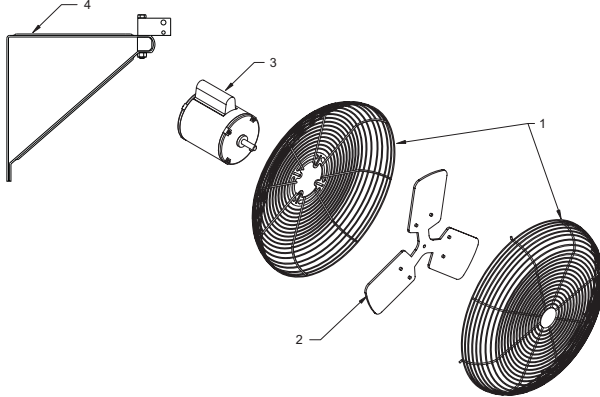


Figura 7 — Ilustración de Repuestos para Cabezales Ensamblados Industriales de Circuladores de Aire de Lavado

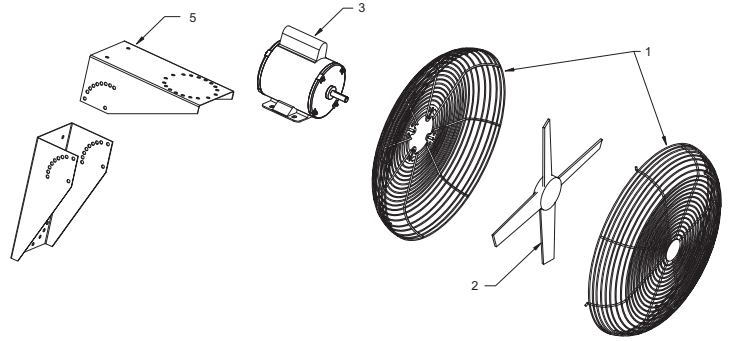


Figura 8 — Ilustración de Repuestos para Cabezales Ensamblados Industriales de Circuladores de Aire para Lugares Peligrosos

### Lista de Repuestos para el Cabezal Ensamblado Industrial del Circulador de Aire de Lavado (Consulte la Figura 7)

Número de Referencia	Descripción	Número de Parte para Modelos:			Cantidad
		1VCF9	1VCG1	1VCG2A	
1	Conjunto del Protector	50H544	50H545	50H546	1
2	Hélice	2ATV7	2KWJ3	53H425	1
3	Motor	2ATX3	1YCW3	53H424	1
(*)	(‡) Piezas Metálicas de Ensamblaje	Artículos de piezas metálicas estándar (disponibles en forma local)			
	Tornillo de Fijación de Cabeza Cuadrada, 5/16-24 x 1/2	—	—	—	1
	Tuerca Spin-Lock de 10-32	—	—	—	4
4	Soporte de Montaje en Pared	1ZCP6	1ZCP6	1ZCP6	1
(*)	Juego de Piezas Metálicas de Montaje de Brida	50H352	50H352	50H352	1
	Perno de Sombrerete con Cabeza Hexagonal, 3/8-16 x 1	—	—	—	1
	Perno de Sombrerete con Cabeza Hexagonal de 1/4-20 x 1	—	—	—	1
	Arandela Plana, 3/8	—	—	—	1
	Arandela Plana, 5/16	—	—	—	1
	Tuerca Spin-Lock, 3/8-16	—	—	—	1
	Tuerca Spin-Lock, 1/4-20	—	—	—	1

### Lista de Repuestos para el Cabezal Ensamblado Industrial del Circulador de Aire para Lugares Peligrosos (Consulte la Figura 8)

Número de Referencia	Descripción	Número de Parte para Modelos:			Cantidad
		1VCH1	1VCH2	1VCH3	
1	Conjunto del Protector	50H545	50H546	50H547	1
2	Hélice y Buje	60P630	60P631	60P632	1
3	Motor	50H560	50H561	50H561	1
(*)	(†) Tuerca Spin-Lock, 10-32	Artículos de piezas metálicas estándar (disponibles en forma local)			4
5	Soporte de Montaje Peligroso	50H562	50H562	50H562	2
(*)	Piezas Metálicas de Montaje Peligroso	Artículos de piezas metálicas estándar (disponibles en forma local)			
	Perno de Sombrerete con Cabeza Hexagonal, 5/16-18 x 3/4	—	—	—	10
	Tuerca Spin-Lock, 5/16-18	—	—	—	10
	Arandela Plana, 5/16	—	—	—	10

(\*) No se muestra.

(‡) Las piezas metálicas de ensamblaje montan el protector trasero en el motor y la hélice en el eje del motor.

(†) Las tuercas Spin-Lock se usan para instalar el protector trasero en el motor.

# Cabezales Ensamblados Industriales de Circuladores de Aire para Lavado y Lugares Peligrosos Dayton®

## Tabla de Solución de Problemas

Síntoma	Causas Posibles	Medida Correctiva
No funciona el ventilador	<ol style="list-style-type: none"> <li>1. Se quemó un fusible o hay un cortacircuitos abierto</li> <li>2. Motor o interruptor defectuoso</li> </ol>	<ol style="list-style-type: none"> <li>1. Reemplácelo o reinicie</li> <li>2. Reemplácelo o reinicie</li> </ol>
El ventilador se enciende y se apaga	<ol style="list-style-type: none"> <li>1. Protector térmico</li> <li>2. Cableado o interruptor de control defectuoso</li> </ol>	<ol style="list-style-type: none"> <li>1. Compruebe si hay obstrucciones en el flujo de aire, voltaje bajo o alto, temperatura excesiva del aire de entrada por sobre los 40° C (104° F)</li> <li>2. Reemplácelo o repárelo</li> </ol>
Ruido excesivo durante el funcionamiento	<ol style="list-style-type: none"> <li>1. La hélice está suelta o dañada</li> <li>2. El motor no está fijo</li> </ol>	<ol style="list-style-type: none"> <li>1. Apriétela o reemplácela</li> <li>2. Apriete las tuercas del motor</li> </ol>
Flujo de aire insuficiente	<ol style="list-style-type: none"> <li>1. El protector está excesivamente sucio</li> </ol>	<ol style="list-style-type: none"> <li>1. Limpie los protectores</li> </ol>

## GARANTÍA LIMITADA

**GARANTÍA LIMITADA DE UN AÑO DAYTON.** LOS CABEZALES ENSAMBLADOS INDUSTRIALES DE CIRCULADORES DE AIRE PARA LAVADO Y LUGARES PELIGROSOS DAYTON®, LOS MODELOS INCLUIDOS EN ESTE MANUAL, TIENEN GARANTÍA DE DAYTON ELECTRIC MFG. CO. (DAYTON) POR DEFECTOS DE FABRICACIÓN O MATERIALES DURANTE SU USO NORMAL DURANTE UN AÑO A PARTIR DE LA FECHA DE COMPRA. TODA PIEZA QUE SE DEMUESTRE QUE TENGA DEFECTOS DE MATERIAL O DE MANO DE OBRA Y SE DEVUELVA A UN LUGAR DE SERVICIO TÉCNICO AUTORIZADO, DESIGNADO POR DAYTON, COSTOS DE TRANSPORTE PREPAGADOS, SERÁ COMO RECURSO EXCLUSIVO, REPARADA O REEMPLAZADA SEGÚN EL CRITERIO DE DAYTON. POR DEMANDA DE GARANTÍA LIMITADA, VER DISPOSICIÓN INMEDIATA A CONTINUACIÓN. ESTA GARANTÍA LIMITADA LE DA AL COMPRADOR DERECHOS LEGALES ESPECÍFICOS QUE VARIAN DE UNA JURISDICCIÓN A OTRA.

**RESTRICCIÓN DE RESPONSABILIDAD.** HASTA DONDE LO PERMITA LA LEGISLACIÓN PERTINENTE, DAYTON NIEGA EXPRESAMENTE SU RESPONSABILIDAD EN DAÑOS DE INDIRECTOS O EMERGENTES. LA RESPONSABILIDAD DE DAYTON EN TODOS LOS CASOS SE LIMITA AL PRECIO DE COMPRA Y NO DEBE EXCEDER ÉSTE.

**DENEGACIÓN DE GARANTÍA.** SE HA HECHO UN GRAN ESFUERZO POR PROPORCIONAR INFORMACIÓN SOBRE EL PRODUCTO E ILUSTRAR LOS PRODUCTOS DE MANERA PRECISA EN ESTE DOCUMENTO; SIN EMBARGO, TAL INFORMACIÓN E ILUSTRACIONES TIENEN EL ÚNICO PROPÓSITO DE IDENTIFICACIÓN, Y NO EXPRESA NI IMPLICA UNA GARANTÍA DE QUE LOS PRODUCTOS SEAN DE BUENA CALIDAD, O QUE SE ADAPTEN E UN PROPÓSITO EN ESPECIAL, NI QUE LOS PRODUCTOS ESTÉN NECESARIAMENTE DE ACUERDO CON LAS ILUSTRACIONES O DESCRIPCIONES. CON EXCEPCIÓN DE LO QUE SE DETALLA A CONTINUACIÓN, NINGUNA GARANTÍA NI AFIRMACIÓN DE HECHO, EXPRESA O IMPLÍCITA, APARTE DE LO QUE SE INCLUYE EN LA "GARANTÍA LIMITADA" ESTÁ HECHA O AUTORIZADA POR DAYTON.

**Asesoría Técnica y Recomendaciones, Exención de Responsabilidad.** No obstante las prácticas, tratos o costumbre del oficio anteriores, las ventas no incluirán asesoría o asistencia técnica, o el diseño del sistema. Dayton no asume obligaciones ni responsabilidades debido a recomendaciones, opiniones o asesorías no autorizadas en cuanto a la elección, la instalación o el uso de productos.

**Aptitud del Producto.** Muchas jurisdicciones tienen códigos y ordenanzas que regulan las ventas, la construcción, la instalación, y/o el uso de productos para ciertos propósitos, que pueden variar con respecto a los de las áreas vecinas. Si bien se hacen intentos para garantizar que los productos Dayton cumplan tales códigos, Dayton no garantiza su cumplimiento y no puede ser responsable por la manera en que se instalen o usen los productos. Antes de la compra y del uso de un producto, revise sus aplicaciones y todos los códigos, y reglamentos nacionales y locales pertinentes, y asegúrese de que el producto, su instalación y su uso estén en conformidad con ellos.

Ciertos aspectos de la denegación no se aplican a productos del consumidor; por ej., (a) algunas jurisdicciones no permiten la exclusión o la limitación de daños accidentales o resultantes, por lo que la limitación o exclusión mencionadas anteriormente, pueden no aplicarse a usted; (b) además, algunas jurisdicciones no permiten una limitación sobre la duración de una garantía implícita, en consecuencia, la limitación mencionada anteriormente puede no aplicarse a usted; y (c) por ley, durante el período de esta Garantía Limitada, cualquier garantía implícita de comerciabilidad o aptitud para un propósito en particular que se aplique a productos del consumidor adquiridos por consumidores, no puede ser excluida ni rechazada.

**Disposición Inmediata.** Se realizará un esfuerzo de buena fe para corregir o realizar otros ajustes de manera oportuna con respecto a cualquier producto que se demuestra que tenga defectos dentro de la garantía limitada. En caso de existir un producto con fallas dentro de la garantía limitada, escriba o llame al distribuidor a quien le compró el producto. Éste le indicará qué hacer. Si el problema no se resuelve de manera satisfactoria, escriba a Dayton a la dirección que figura a continuación, indicando nombre del distribuidor, dirección, fecha y número de la factura del distribuidor, y describa la naturaleza de la falla. Título y riesgo de pérdida pasan al comprador en la entrega a la compañía de transporte. Si el producto se dañó durante el transporte, presente el reclamo al transporte.

Fabricado por Dayton Electric Mfg. Co., 5959 W. Howard St., Niles, Illinois 60714 U.S.A.

Fabricado por Dayton Electric Mfg. Co.  
Niles, Illinois 60714 EE.UU.

**Dayton®**

**Veillez lire et conserver ces instructions.** Lire attentivement avant de commencer à assembler, installer, faire fonctionner ou entretenir l'appareil décrit. Protégez-vous et les autres en observant toutes les informations sur la sécurité. Négliger d'appliquer ces instructions peut résulter en des blessures corporelles et/ou en des dommages matériels ! Conserver ces instructions pour références ultérieures.

# Ventilateurs industriels assemblés Grande eau et Zone dangereuse Dayton®

## Description

Les modèles Grande eau et Zone dangereuse comportent tous deux un câble de soutien de sécurité secondaire pour la pose suspendue. Ils sont équipés d'un moteur monophasé à vitesse unique 115/230 V sous boîtier fermé, avec refroidissement par ventilateur et protection thermique à réarmement automatique. Les ventilateurs sont équipés de grilles métalliques zinguées conformes à la norme OSHA 1910.212 (ouverture maxi. 12,7 mm).

## GRANDE EAU

Conçu pour le rafraîchissement localisé dans des environnements mouillés ou très humides, tels que des usines de transformation alimentaire ou de boissons. Le ventilateur est fourni avec un support de fixation pour mur/poteau/plafond. Les ventilateurs utilisent un mécanisme d'inclinaison verticale à verrouillage pour diriger l'écoulement d'air. Le moteur est conforme aux normes BISSC et NEMA définition MG1-1.26,6 (moteurs étanches à l'eau) et fourni avec une boîte de dérivation pour le raccordement local. Les ventilateurs sont homologués UL/cUL, norme 507.

## ZONE DANGEREUSE

Conçu pour le rafraîchissement localisé dans des atmosphères contenant des vapeurs, gaz ou poussières inflammables ou explosives. Le ventilateur comporte un robuste support en acier galvanisé pour fixer le ventilateur sur un mur ou un poteau. Le support de fixation est réglable pour permettre un écoulement d'air multidirectionnel. Le moteur est homologué UL pour les zones dangereuses de Classe I, Division I, Groupe D ET Classe II, Division I, Groupes E, F, G et comprend également une boîte de dérivation homologuée UL pour le raccordement local.

## Accessoires en option

Description	N° de modèle
Socle pour sol régl. - Gris (base fermée) (pour Grande eau) :	1ZCP2
Socle pour sol régl. (base ouverte) (pour Grande eau) :	1ZCP4
Nécessaire roues de socle (pour Grande eau) :	1ZCP5
Support de fixation (mur/poteau/plafond) (pour Grande eau) :	1ZCP6
Support de fixation (suspension) (pour Grande eau) :	1ZCP7
Support de fixation (poutre en I) (pour Grande eau) :	1ZCP8

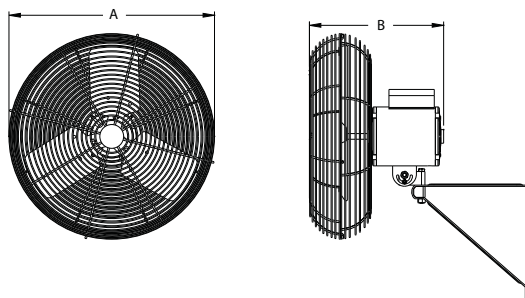


Figure 1 — Dimensions Grande eau

## Dimensions et caractéristiques des modèles Grande eau (voir Figure 1)

Modèle	Dia. pales.	A	B	Tension (V)	Hz	Phases	Pales	Matériau pales	Comprend
1VCF9	50,8 cm	58,4 cm	58,4 cm	115/230	60	1	3	Aluminium	Support de fixation 1ZCP6, câble de soutien de sécurité secondaire
1VCG1	61,0	68,6	58,4	115/230	60	1	3	Aluminium	Support de fixation 1ZCP6, câble de soutien de sécurité secondaire
1VCG2A	76,2	83,8	66,0	115/230	60	1	3	Aluminium	Support de fixation 1ZCP6, câble de soutien de sécurité secondaire

Tous les ventilateurs spécialisés sont fournis avec un support de fixation. Des accessoires de fixation en option sont proposés pour le modèle Grande eau.



# Ventilateurs industriels assemblés

## Grande eau et Zone dangereuse

### Dayton®

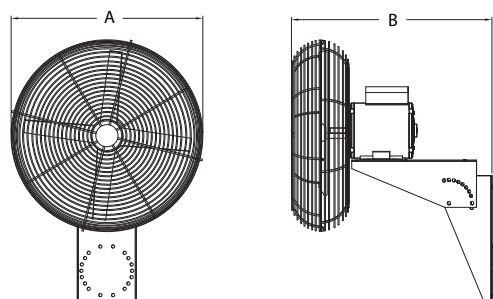


Figure 2 — Dimensions Zone dangereuse

### Dimensions et caractéristiques des modèles Zone dangereuse (voir Figure 2)

Modèle	Dia. pales.	A	B	Tension (V)	Hz	Phases	Pales	Matériau pales	Comprend
1VCH1	61,0 cm	68,6 cm	59,7 cm	115/230	60	1	4	Fonte d'aluminium	Support mur/poteau zone dangereuse, câble de soutien de sécurité secondaire
1VCH2	76,2	83,8	65,4	115/230	60	1	4	Fonte d'aluminium	Support mur/poteau zone dangereuse, câble de soutien de sécurité secondaire
1VCH3	91,4	99,1	65,4	115/230	60	1	4	Fonte d'aluminium	Support mur/poteau zone dangereuse, câble de soutien de sécurité secondaire

Tous les ventilateurs spécialisés sont fournis avec un support de fixation.

### Performances

Modèle	Dia. pales.	Moteur tr/min	HP	Pi3/min	Vitesse air à 20 pi. (pi/min)	Sones à 0,000 SP	Intensité d'exploitation (A)	Intensité pleine charge (A)
<b>GRANDE EAU</b>								
1VCF9	50,8 cm	1140	1/4	4700	580	28	2,93/1,47	3,5/1,7
1CVG1	61,0	1140	1/3	6849	732	29	2,75/1,38	4,9/2,5
1VCG2	76,2	1140	1/2	10,001	750	29	5,8/2,9	8,8/2,9
<b>ZONE DANGEREUSE</b>								
1VCH1	6,0 cm	1140	1/4	5486	520	28	6,0/2,9	6,9/3,45
1VCH2	76,2	1140	3/4	10,937	835	37	7,0/3,5	12,6/6,3
1VCH3	91,4	1140	3/4	12,500	1000	43	7,0/3,5	12,6/6,3

### Déballage

- Vérifier l'absence de tout dommage éventuellement causé par le transport.
- Les réclamations pour dommages dus au transport sont à adresser au transporteur.
- Vérifier que les boulons, vis, vis de calage, etc. ne se sont pas desserrés durant le transport. Resserrer le cas échéant.

### Informations générales sur la sécurité

**AVERTISSEMENT** Pour réduire le risque d'incendie, de choc électrique ou de blessure corporelle, respecter ce qui suit :

- Utiliser cet appareil exclusivement comme prévu par le fabricant. En cas de questions, communiquer avec le fabricant.

- Avant tout entretien ou nettoyage de l'appareil, couper l'alimentation sur le tableau de commande et verrouiller le dispositif de sectionnement pour empêcher toute mise sous tension accidentelle. Si le dispositif de sectionnement ne peut pas être verrouillé, attacher un moyen de mise en garde bien visible, tel qu'un panneau, au tableau de commande.

# Modèles 1VCF9, 1VCG1, 1VCG2A, 1VCH1 à 1VCH3

## Informations générales sur la sécurité (suite)

**⚠ AVERTISSEMENT** *Ne pas dépendre d'un interrupteur pour couper l'alimentation. Toujours débrancher le cordon d'alimentation ou couper et verrouiller les moyens de sectionnement comme décrit.*

c. La pose et le câblage électrique doivent être effectués par des personnes qualifiées en conformité avec les codes et normes en vigueur, y compris pour la résistance au feu du bâtiment.

d. Lors de la découpe ou du perçage de murs ou plafonds, ne pas endommager les câbles électriques et autres conduites masquées.

**⚠ DANGER** *Ne pas placer de parties du corps ni d'objets dans les ouvertures du ventilateur ou du moteur si l'appareil est raccordé à une source de courant.*

**⚠ AVERTISSEMENT** *Pour réduire le risque d'incendie ou de choc électrique, ne pas utiliser ce ventilateur avec un quelconque dispositif de régulation de vitesse à semi-conducteurs. Ne pas utiliser un adaptateur de trois broches à deux broches sur le cordon d'alimentation.*

**⚠ AVERTISSEMENT** *Pour réduire le risque de choc électrique, ne pas exposer les modèles 1VCH1 à 1VCH3 à l'eau ou à la pluie.*

1. Lire et respecter toutes les instructions et marques de mise en garde et s'assurer que la source d'alimentation est conforme aux exigences pour le matériel.
2. Respecter tous les codes d'électricité et de sécurité en vigueur, ainsi que le National Electrical Code (NEC) et l'Occupational Safety and Health Act (OSHA) aux États-Unis, y compris pour la résistance au feu du bâtiment. Mettre le moteur à la terre conformément à l'Article 250 (mise à la terre) du NEC.
3. Dans les applications critiques, utiliser une alarme adaptée (contacteur d'air, sonde de température, etc.) en cas de mauvais fonctionnement du ventilateur.

## Pose

**⚠ AVERTISSEMENT** *La pose et le dépannage doivent impérativement être confiés à des personnes qualifiées.*

**⚠ ATTENTION** *Pour réduire le risque de blessure, utiliser exclusivement avec des accessoires Dayton recommandés dans le mode d'emploi.*

1. Raccorder l'alimentation conformément au NEC et tous les codes locaux. Voir le schéma de câblage à la Figure 3.

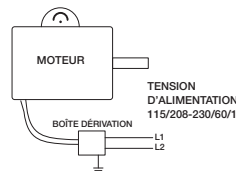


Figure 3 — Schéma de câblage typique VENTILATEURS INDUSTRIELS POUR GRANDE EAU

1. Pour poser le ventilateur, se reporter aux instructions fournies avec le support pour mur/poteau/plafond Dayton.
2. Après la pose, enlever les bouchons de drainage du moteur aux points les plus bas. Ce ventilateur n'est pas conçu pour être posé avec son axe vertical.

## VENTILATEURS INDUSTRIELS POUR ZONE DANGEREUSE

1. Trouver les (2) supports en acier identiques et les (8) boulons fournis avec l'appareil.

**REMARQUE :** Il est conseillé d'assembler le support mural avant de le fixer au mur.

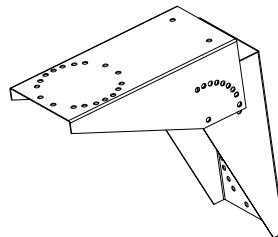


Figure 4 — Assemblage du support

2. Introduire la partie la plus large de la bride d'un support à l'intérieur de la partie large de la bride de l'autre support, pour former un « V » comme sur la Figure 4.

3. Pivoter l'une des pièces par rapport à l'autre jusqu'à l'angle souhaité. À l'angle souhaité, poser (4) boulons, (2) de chaque côté, à travers les trous alignés.

**REMARQUE :** Selon l'angle formé par le support, différents trous peuvent être alignés.

4. Visser un écrou-frein sur chaque boulon et serrer.

5. Fixer le support au mur comme sur la Figure 5. Utiliser la visserie appropriée (non fournie).

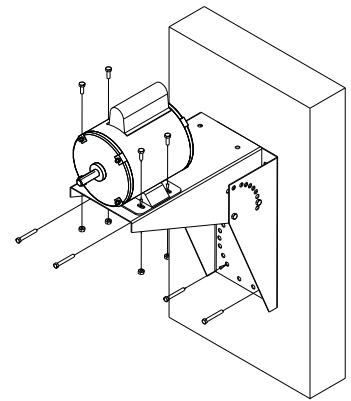


Figure 5 — Pose du support (tête de ventilateur non représentée)

**IMPORTANT :** Utiliser au moins (4) boulons pour fixer le support au mur (deux en haut et au moins deux en bas).

6. Une fois que le support est fixé au mur, placer le socle du moteur sur le dessus du support dans la position souhaitée, en alignant les trous du socle du moteur avec les trous du support.
7. Introduire (4) boulons, (2) de chaque côté du moteur, et serrer les écrous-freins.

# Ventilateurs industriels assemblés

## Grande eau et Zone dangereuse

# Dayton®

### Pose (suite)

8. Attacher le câble de soutien de sécurité secondaire utilisé pour offrir une protection supplémentaire en cas de défaillance des autres supports et visseries de fixation. Pour assurer une pose correcte du câble de soutien de sécurité secondaire, lire et suivre avec attention toutes les instructions à partir de la Figure 6.

### CÂBLE DE SOUTIEN DE SÉCURITÉ SECONDAIRE

**⚠ AVERTISSEMENT** *L'utilisation du câble de soutien de sécurité secondaire ne garantit pas la protection contre les blessures. La fixation du ventilateur et celle du câble peuvent toutes deux lâcher en cas d'emploi abusif, de négligence ou de pose incorrecte.*

1. Passer un côté du câble autour des fils de fer de gros diamètre à la fois des grilles avant et arrière, comme sur la Figure 6.

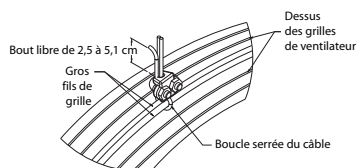


Figure 6 — Détail du serre-câble

2. Fixer un serre-câble avec le « U » sur le bout libre de la boucle, en laissant dépasser un bout de 2,5 à 5 cm environ. Resserrer la boucle et visser les écrous du serre-câble à un couple de 3,6 Nm. Vérifier que le câble n'entrave pas les pales du ventilateur.
3. Fixer un second serre-câble à une distance de 2,5 à 5 cm du premier et serrer à un couple de 3,6 Nm. Couper le bout de câble libre pour qu'il dépasse de 2,5 à 5 cm du second serre-câble.
4. Passer l'autre bout du câble autour d'une robuste solive, poutre, ferme ou autre soutien du bâtiment près du ventilateur. Ravaler tout l'excès de mou dans le câble. Si le ventilateur est un modèle oscillant posé au mur, prévoir suffisamment de mou pour permettre son mouvement libre sur toute sa course.
5. Poser les deux (2) serre-câble restants comme précédemment à l'étape 2. Couper le bout de câble libre pour qu'il dépasse de 2,5 à 5 cm du second serre-câble.
6. Contrôler l'assemblage pour s'assurer que les pales sont exemptes de toute entrave et tournent librement.

**⚠ ATTENTION** *Pour éviter les blessures corporelles, soutenir le ventilateur chaque fois que l'inclinaison est ajustée.*

### Fonctionnement

1. Éviter toute obstruction de la tête de ventilateur.

### Entretien

**⚠ ATTENTION** *Pour réduire le risque de blessure corporelle, débrancher l'alimentation électrique avant l'entretien. Toujours débrancher le cordon d'alimentation.*

1. Avec un chiffon, nettoyer régulièrement les pales, la grille et le moteur en cas d'accumulation excessive de poussières et saletés. Laisser au moteur le temps pour refroidir car il peut être assez chaud pour causer des lésions.
2. Suivre les instructions du fabricant du moteur concernant sa lubrification.
3. Vérifier l'absence de bruits inhabituels durant la marche du ventilateur.
4. Contrôler régulièrement et resserrer tous les boulons.

**IMPORTANT** : Pour les réparations, utiliser exclusivement des pièces de rechange agréées par Dayton.

**⚠ AVERTISSEMENT** *Pour effectuer des travaux d'entretien sur ce produit, s'assurer qu'il est débranché. L'installation électrique doit disposer de moyens de coupure de l'alimentation avec une séparation d'au moins 3 mm entre tous les pôles.*

# Pour les pièces de rechange, appeler le 1-800-323-0620

24 h/24 – 365 jours par an

Veuillez fournir les renseignements suivants :

- Numéro de modèle
- Numéro de série (le cas échéant)
- Description et numéro de pièce indiqués sur la nomenclature des pièces

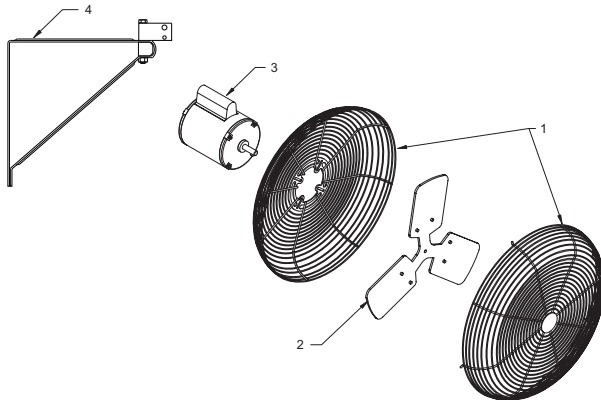


Figure 7 — Pièces de rechange pour ventilateurs industriels pour grande eau assemblés

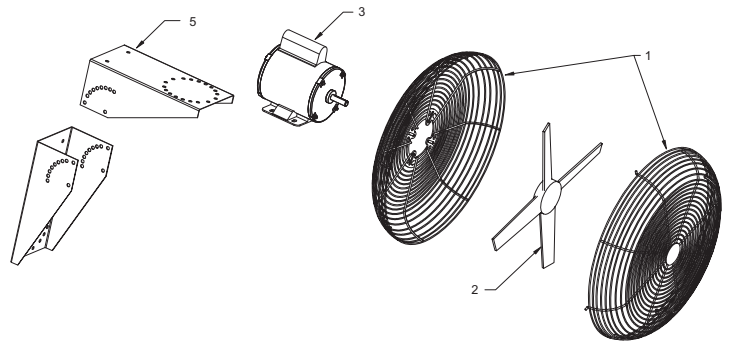


Figure 8 — Pièces de rechange pour ventilateurs industriels pour zone dangereuse assemblés

## Nomenclature des pièces de rechange pour ventilateurs industriels pour grande eau assemblés (voir Figure 7)

Numéro de référence	Description	Numéro de pièce pour le modèle :			Quantité
		1VCF9	1VCG1	1VCG2A	
1	Grille complète	50H544	50H545	50H546	1
2	Hélice	2ATV7	2KWJ3	53H425	1
3	Moteur	2ATX3	1YCW3	53H424	1
(*)	(‡) Visserie d'assemblage	Visserie standard (disponible localement)			
	Vis calage tête carrée, 5/16-24 x 1/2	—	—	—	1
	Écrou-frein, 10-32	—	—	—	4
4	Support de fixation murale	1ZCP6	1ZCP6	1ZCP6	1
(*)	Trousse visserie de fixation arceau	50H352	50H352	50H352	1
	Vis tête hexagonale, 3/8-16 x 1	—	—	—	1
	Vis tête hexagonale, 1/4-20 x 1	—	—	—	1
	Rondelle plate, 3/8	—	—	—	1
	Rondelle plate, 5/16	—	—	—	1
	Écrou-frein, 3/8-16	—	—	—	1
	Écrou-frein, 1/4-20	—	—	—	1

## Nomenclature des pièces de rechange pour ventilateurs industriels pour zone dangereuse assemblés (voir Figure 8)

Numéro de référence	Description	Numéro de pièce pour le modèle :			Quantité
		1VCH1	1VCH2	1VCH3	
1	Grille complète	50H545	50H546	50H547	1
2	Hélice et bague	60P630	60P631	60P632	1
3	Moteur	50H560	50H561	50H561	1
(*)	(†) Écrou-frein, 10-32	Visserie standard (disponible localement)			4
5	Support de fixation zone dang.	50H562	50H562	50H562	2
(*)	Visserie de fixation zone dang.	Visserie standard (disponible localement)			
	Vis tête hexagonale, 5/16-18 x 3/4	—	—	—	10
	Écrou-frein, 5/16-18	—	—	—	10
	Rondelle plate, 5/16	—	—	—	10

(\*) Non représenté.

(‡) Visserie d'assemblage pour fixer la grille arrière au moteur et l'hélice à l'arbre de moteur.

(†) Les écrous-freins fixent la grille arrière au moteur.

# Ventilateurs industriels assemblés

## Grande eau et Zone dangereuse

### Dayton®

#### Dépannage

Symptôme	Cause(s) possible(s)	Action corrective
Le ventilateur ne fonctionne pas	1. Fusible grillé ou disjoncteur ouvert 2. Moteur ou interrupteur défectueux	1. Changer ou réarmer 2. Changer ou réarmer
Le ventilateur s'allume et s'éteint	1. Protection thermique  2. Câblage ou interrupteur de commande défectueux	1. Voir si l'écoulement d'air est obstrué, la tension trop haute ou basse ou la température d'arrivée d'air supérieure à 40°C (104°F) 2. Changer ou réparer
Bruit excessif durant la marche	1. Hélice desserrée ou endommagée 2. Moteur mal fixé	1. Serrer ou changer 2. Serrer les écrous du moteur
Circulation d'air insuffisante	1. Grille très sale	1. Nettoyer les grilles

#### GARANTIE LIMITÉE

**GARANTIE LIMITÉE DE UN AN DE DAYTON.** LES MODÈLES VENTILATEURS INDUSTRIELS ASSEMBLÉS GRANDE EAU ET ZONE DANGEREUSE DE DAYTON® COUVERTS DANS CE MANUEL SONT GARANTIS À L'UTILISATEUR D'ORIGINE PAR DAYTON ELECTRIC MFG. CO. (DAYTON), CONTRE TOUT DÉFAUT DE FABRICATION OU DE MATÉRIAUX, LORS D'UNE UTILISATION NORMALE, ET CELA PENDANT UN AN APRÈS LA DATE D'ACHAT. TOUTE PIÈCE, DONT LES MATÉRIAUX OU LA MAIN D'OUVRE SERONT JUGÉS DÉFECTUEUX, ET QUI SERA RENVOYÉE PORT PAYÉ, À UN CENTRE DE RÉPARATION AUTORISÉ PAR DAYTON, SERA, À TITRE DE SOLUTION EXCLUSIVE, SOIT RÉPARÉE, SOIT REMPLACÉE PAR DAYTON. POUR LE PROCÉDÉ DE RÉCLAMATION SOUS GARANTIE LIMITÉE, REPOSEZ-VOUS À LA CLAUSE DE « DISPOSITION PROMPTE » CI-DESSOUS. CETTE GARANTIE LIMITÉE DONNE AUX ACHETEURS DES DROITS LÉGAUX SPÉCIFIQUES QUI VARIENT DE JURIDICTION À JURIDICTION.

**LIMITES DE RESPONSABILITÉ.** LA RESPONSABILITÉ DE DAYTON, DANS LES LIMITES PERMISES PAR LA LOI, POUR LES DOMMAGES INDIRECTS OU FORTUITS EST EXPRESSEMENT DÉNIÉE. DANS TOUS LES CAS LA RESPONSABILITÉ DE DAYTON EST LIMITÉE ET NE DÉPASSERA PAS LA VALEUR DU PRIX D'ACHAT PAYÉ.

**DÉSISTEMENT DE GARANTIE.** DE DILIGENTS EFFORTS SONT FAITS POUR FOURNIR AVEC PRÉCISION LES INFORMATIONS ET ILLUSTRATIONS DES PRODUITS DÉCRITS DANS CETTE BROCHURE ; CEPENDANT, DE TELLES INFORMATIONS ET ILLUSTRATIONS SONT POUR LA SEULE RAISON D'IDENTIFICATION, ET N'EXPRIMENT NI N'IMPLIQUENT QUE LES PRODUITS SONT COMMERCIALISABLES, OU ADAPTABLES À UN BESOIN PARTICULIER, NI QUE CES PRODUITS SONT NÉCESSAIREMENT CONFORMES AUX ILLUSTRATIONS OU DESCRIPTIONS. SAUF POUR CE QUI SUIT, AUCUNE GARANTIE OU AFFIRMATION DE FAIT, ÉNONCÉE OU IMPLICITE, AUTRE QUE CE QUI EST ÉNONCÉ DANS LA « GARANTIE LIMITÉE » CI-DESSUS N'EST FAITE OU AUTORISÉE PAR DAYTON.

**Désistement sur les conseils techniques et les recommandations.** Peu importe les pratiques ou négociations antérieures ou les usages commerciaux, les ventes n'incluent pas l'offre de conseils techniques ou d'assistance ou encore de conception de système. Dayton n'a aucune obligation ou responsabilité quant aux recommandations non autorisées, aux opinions et aux suggestions relatives au choix, à l'installation ou à l'utilisation des produits.

**Conformité du produit.** De nombreuses juridictions ont des codes et règlements qui gouvernent les ventes, constructions, installations et/ou utilisations de produits pour certains usages qui peuvent varier par rapport à ceux d'une zone voisine. Bien que Dayton essaie de s'assurer que ses produits s'accordent avec ces codes, Dayton ne peut garantir cet accord, et ne peut être jugée responsable pour la façon dont le produit est installé ou utilisé. Avant l'achat et l'usage d'un produit, revoir les applications de ce produit, ainsi que tous les codes et règlements nationaux et locaux applicables, et s'assurer que le produit, son installation et son usage sont en accord avec eux.

Certains aspects de désistement ne sont pas applicables aux produits pour consommateur ; ex : (a) certaines juridictions ne permettent pas l'exclusion ou la limitation des dommages indirects ou fortuits et donc la limitation ou exclusion ci-dessus peut ne pas s'appliquer dans le cas présent ; (b) également, certaines juridictions n'autorisent pas de limitations de durée de la garantie implicite, en conséquence, la limitation ci-dessus peut ne pas s'appliquer dans le cas présent ; et (c) par force de loi, pendant la période de cette Garantie Limitée, toutes garanties impliquées de commerciabilité ou d'adaptabilité à un besoin particulier applicables aux produits de consommateurs achetés par des consommateurs, peuvent ne pas être exclues ni autrement désistées.

**Disposition prompt.** Un effort de bonne foi sera fait pour corriger ou ajuster rapidement tout produit prouvé défectueux pendant la période de la garantie limitée. Pour tout produit considéré défectueux pendant la période de garantie limitée, contacter tout d'abord le concessionnaire où l'appareil a été acheté. Le concessionnaire doit donner des instructions supplémentaires. S'il est impossible de résoudre le problème de façon satisfaisante, écrire à Dayton à l'adresse ci-dessous, en indiquant le nom et l'adresse du concessionnaire, la date et le numéro de la facture du concessionnaire, et en décrivant la nature du défaut. Le titre et le risque de perte passent à l'acheteur au moment de la livraison par le transporteur. Si le produit a été endommagé pendant le transport, une réclamation doit être faite auprès du transporteur.

Fabriqué pour Dayton Electric Mfg. Co., 5959 W. Howard St., Niles, Illinois 60714-4014 États-Unis





